



**SPECIAL APPLICATION GAUGES**

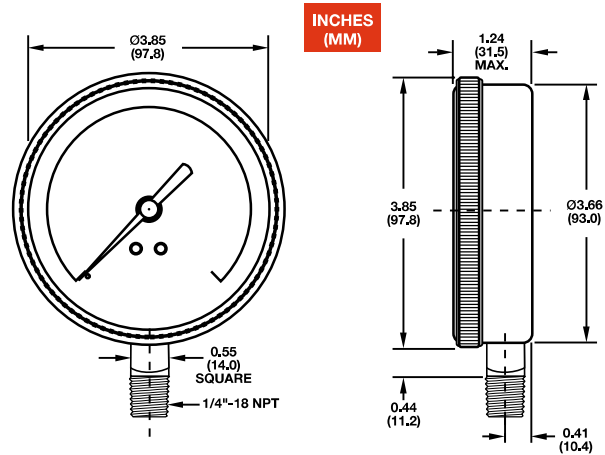
# Model P-1590 and R-1590 Sprinkler System Gauges

**DESCRIPTION**

U.S. Gauge P-1590 and R-1590 sprinkler gauges are designed for use on wet or dry sprinkler systems. These 3-1/2" gauges are approved by the Factory Mutual System and are listed by Underwriters' Laboratories. The R-1590 retarded air gauge is used on the sprinkler head side of the control valve in a dry system to accurately monitor line air pressure, and also has the ability to accept water pressure up to 250 psi upon system activation. The P-1590 is used on the water supply side of the system to indicate available source pressure, and is used alone on wet systems where water is available to the sprinkler head at all times. The P-1590 also comes in an air/water version. Private labeling is available for OEM customers.

**SPECIFICATIONS**

- SIZES:** 3-1/2"
- RANGES:**  
*P-1590* – 0-300 psi  
*R-1590* – 0-80 psi, retarded to 250 psi
- ACCURACY:** ±3-2-3% (Grade B)
- BOURDON TUBE:** Phosphor bronze
- WINDOW:** Polycarbonate one-piece threaded
- DIAL:** Galvalume, with year of manufacture printed on dial
- POINTER:** Aluminum, painted black
- CASE:** Black plastic resin (PC-PBT corrosion resistant)
- CONNECTION:** Brass, 1/4"-18 NPT lower mount
- APPROVALS:** FM® and UL®; Factory Mutual System and listed by Underwriter's Laboratories



Spec Number Selection Chart		
Connection – 1/4"-18 ANPT Lower Mount		
Model	Ranges	Spec No.
P-1590 (Water on dial)	0-300 psi	167442
R-1590 (Air on dial)	0-80 psi retarded to 250 psi	167443
P-1590 (Air/Water on dial)	0-300 psi	173547

Please contact customer service for name on dial and other OEM options, [usg.sales@ametek.com](mailto:usg.sales@ametek.com) or +1 215-674-1234.